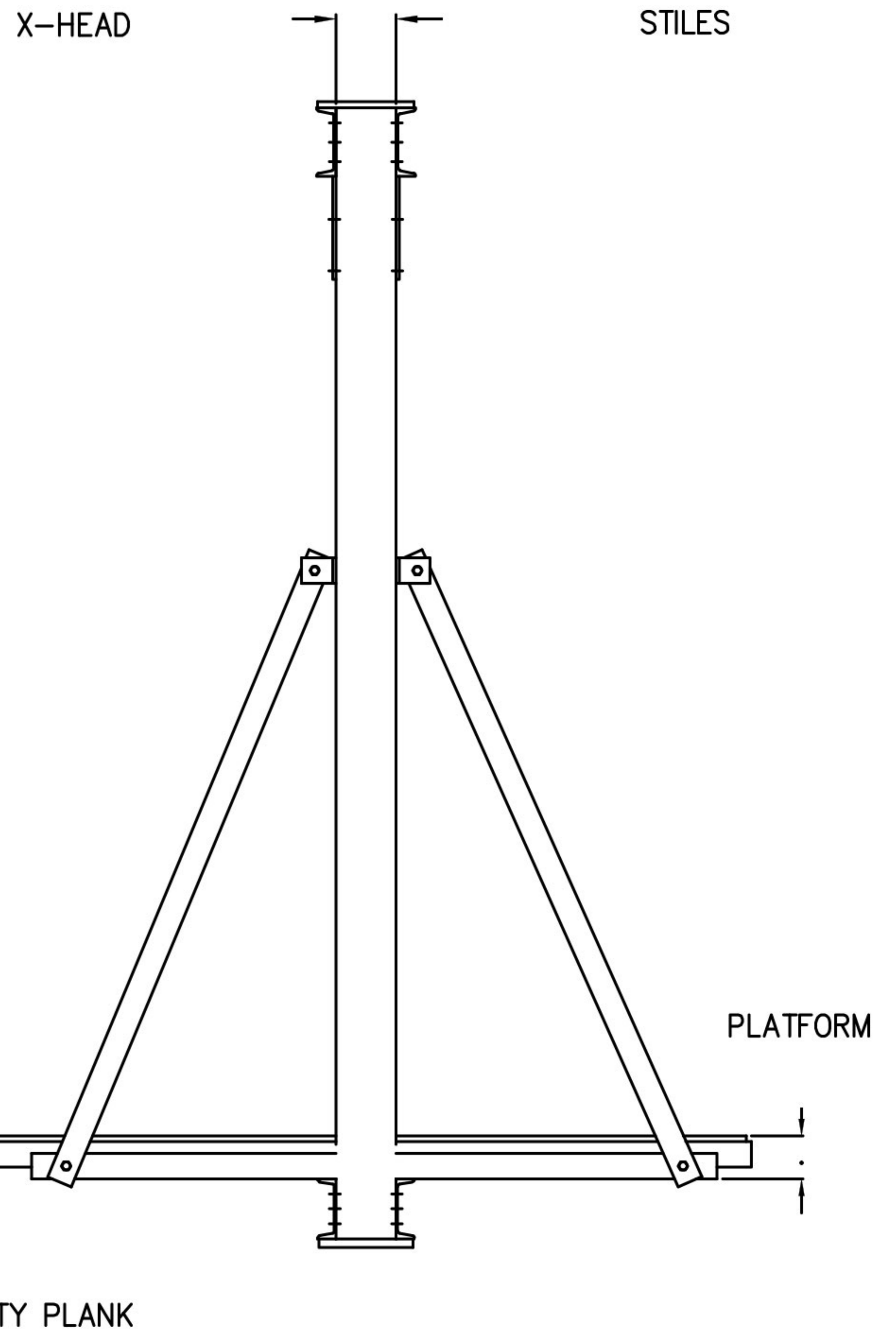
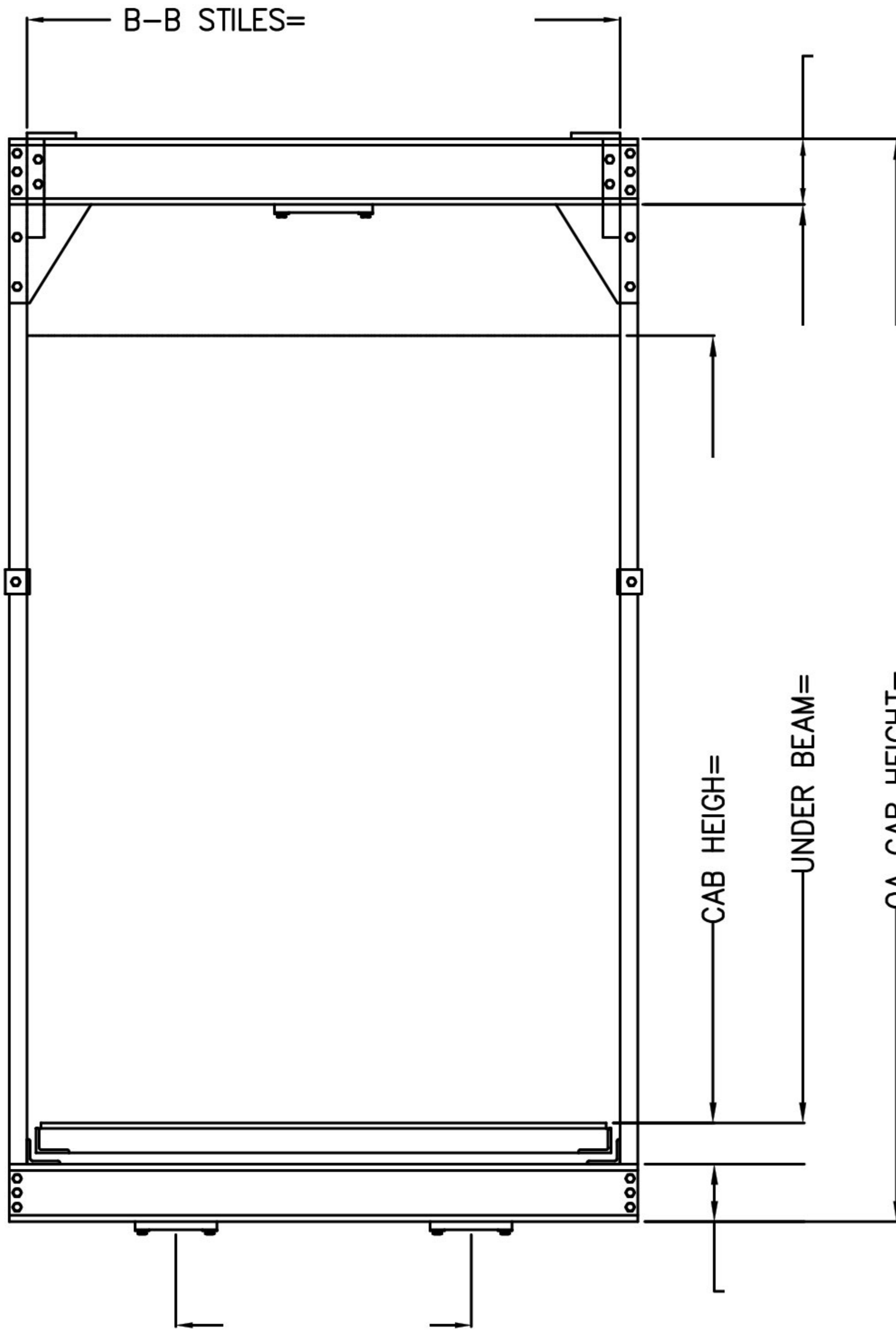
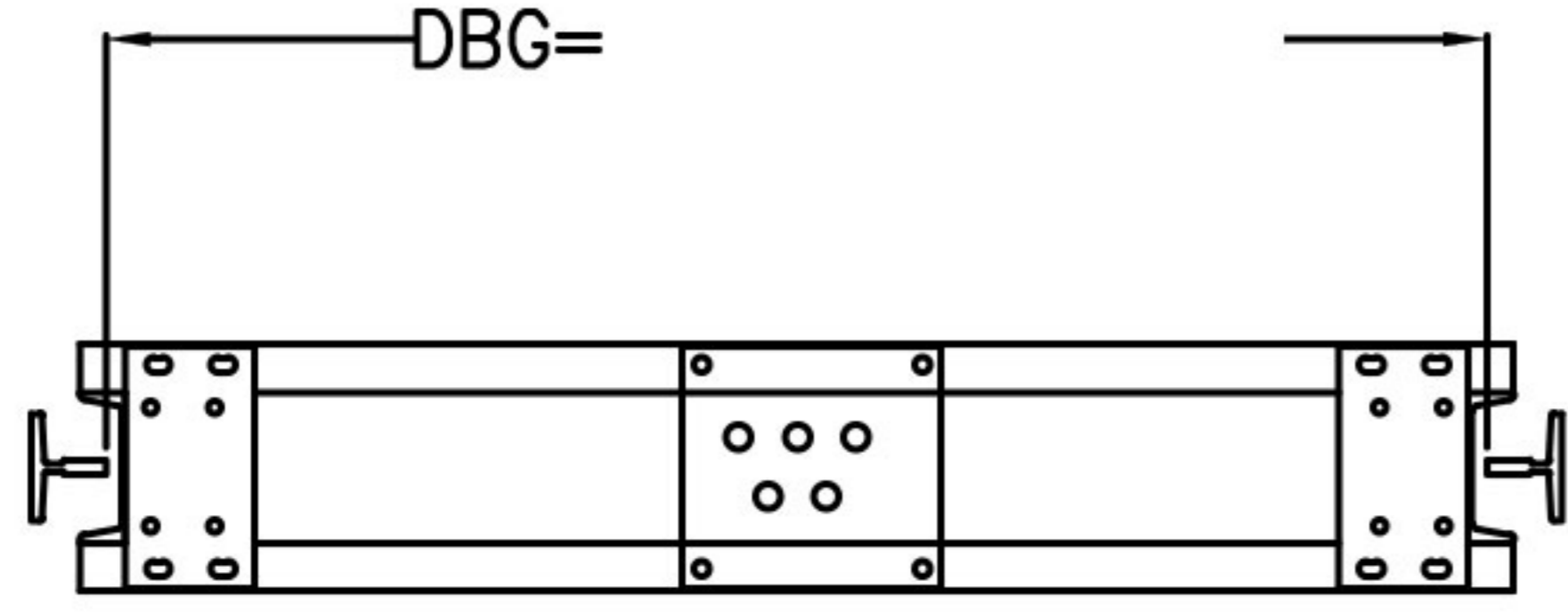


SIDE POST CAR SLING SURVEY

- STILE CHANNEL
- SAFETY (MAKER & MODEL)
- G. SHOES (MAKER & MODEL)
- HOIST ROPES
- TOTAL CAR WEIGHT
- CAPACITY
- SPEED
- GUIDE RAILS
- DISTANCE BETWEEN BUFFERS



CUSTOMER:

JOB:

QUANTITY:



Titan Machine Corporation
 42-11 9th Street
 Long Island City, New York 11101
 p - 718.361.7848 f - 718.361.3115
www.titanmachine.com