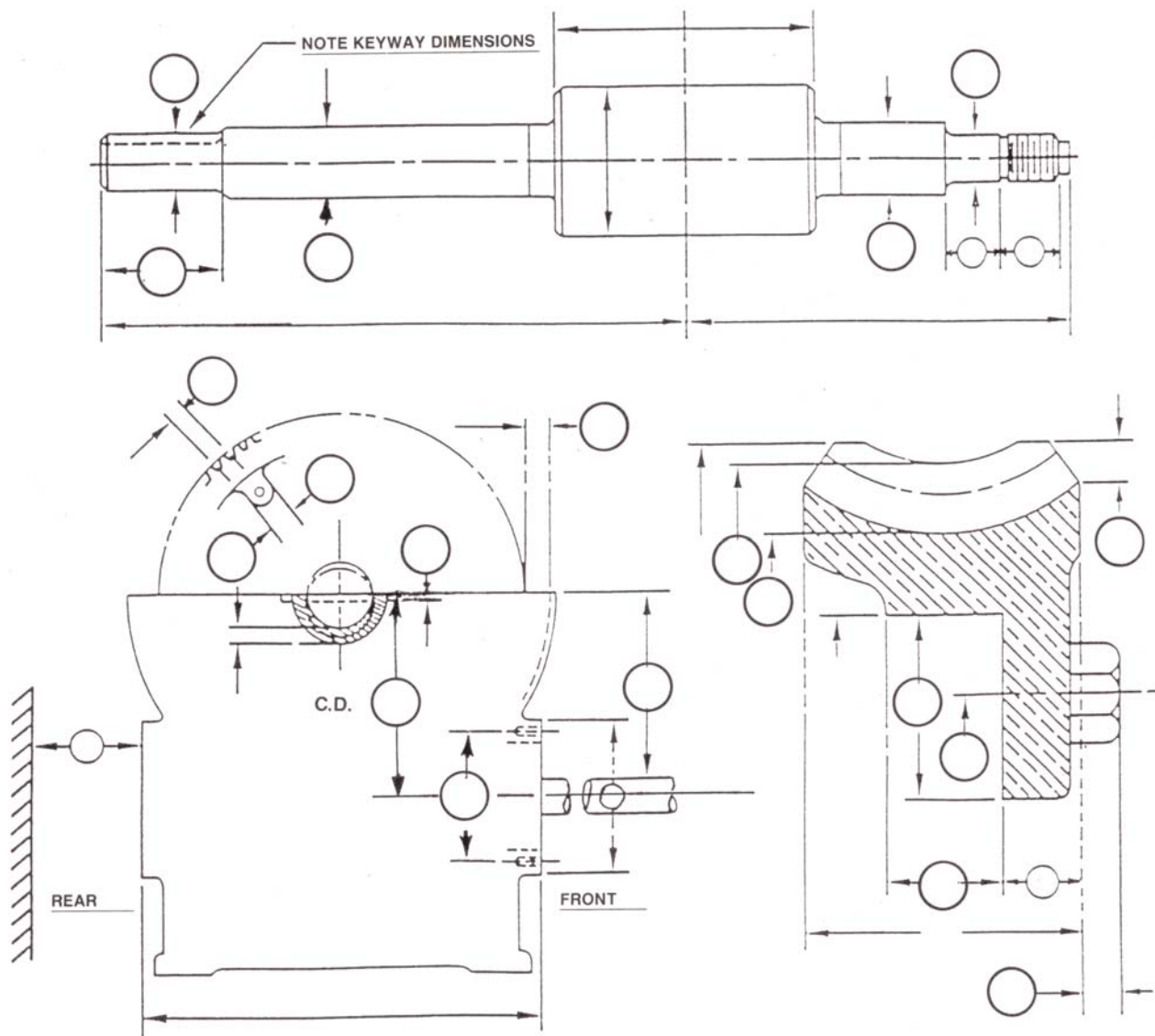


▶ TITAN MACHINE CORPORATION

- ▶ Servicing the elevator industry. Titan's years of experience and dedication to quality have contributed to our growth.
- ▶ Is industry known for being the source for quality replacement worm & gear sets for any type of worm geared elevator machine.
- ▶ Titan's flexible manufacturing capabilities and complete "in house" material supply, keeps customer down time to a minimum, assuring quick turn around time.
- ▶ The following listings of elevator machinery has been compiled to help manufacturers, elevator mechanics, supervisors, modernization specialists, and sales personnel to identify elevator equipment for ease of pricing and to minimize confusion.
- ▶ The following pages are a comprehensive listing of elevator manufacturers for whom Titan has fabricated new replacement worm and gear sets.



FIELD DATA FOR WORM & GEAR REPLACEMENT

Specify details of your order

Machine Mfgr/Type/Year _____

Machine Mfgr/Type/Year _____

Car Speed-Rated _____ Tach _____

Car Speed-Rated _____

Car Roping _____

Car Roping _____

Motor Speed-Nameplate _____ Tach _____

Motor Speed-Nameplate _____

Traction or Drum Diameter _____

Traction or Drum Diameter _____

MANUFACTURER

GEAR OUTSIDE
DIAMETERTITAN
TYPE NO.

DESCRIPTION

A.B. SEE

#2/2A/2E	21"		Most A.B. See machines are left hand threads. Please specify if different. Single end thrust conversions available.
#3	25"		
#3B	31 ^{1/2} "		
#4	27"		
#4A/4B	28 ^{1/2} "		
#5	32"		
#6	34 ^{1/4} "		
#6	37"	TG1870	Basement drum.
#7	39 ^{1/2} "		
#21	18"		
#22	25"		
#23	29 ^{5/8} "		
#24	34 ^{3/4} "		
#25	39 ^{1/2} "	TG1961	

ARMOR

#1B,1BB	17"		
#2B,2BB	20"	TG0501	
#3	22"	TG0680	
#4B/4BB	25"	TG1250	
#5,5BB	35 ^{3/4} "		
#7,7X	40"		

ATLANTIC

#1DMZ	21 ^{1/2} "		
#1TMZ	20 ^{3/4} "		
#1TLZ	13 ^{3/4} "		
#3	18 ^{3/4} "	TG0380	Ceiling hung.
#3H	17 ^{3/4} "		
#4	25 ^{3/4} " / 26 ^{3/4} "		Worm over gear.
#6	26"		
#27	35 ^{3/8} "		
TYPE "J"	30"		

BAKER

	29 ^{3/4} "		Basement drum.
--	---------------------	--	----------------

BERWICK

	8 ^{3/8} "		
	14 ^{7/8} "		

CLEVELAND

	12 ^{1/4} "		
--	---------------------	--	--

CURTIS

K	16"	TG8258	
L	17 ^{7/8} "		

DOVER

#GD-1	20"		
#GD 25	15"	TG-0080	1990 Version.
#GD 45	14 ^{3/8} "	TG-0080	

MANUFACTURER	GEAR OUTSIDE DIAMETER	TITAN TYPE NO.	DESCRIPTION
DOVER (con.)			
#GD50/75/105	19 ^{3/4}	TG0380	
#GD200-4	30"		
#GD200-4			
#GD240	24"		
#GD300	30 ^{1/4} "		

GENERAL

#D,DS,DSB			
#F			
#G		TG0520	
#GSB	16"	TG0520	
#H	18"		
#M	20 ^{3/4} "		
#P			

GURNEY

#A3			Gurney machines vary in thread design. Common are left hand threads, some are right hand threads, Single and thrust bearing conversions available.
H13VTE		TG0220	
H14VTE	17 ^{5/8} "	TG0220B	
H15VTE	24 ^{3/4} "		
H16VTE	17 ^{3/8} "		
H17VTE	18"		
H18VTE	24 ^{1/2} "		
H19VTE			
H20VTE	30"		
W13			
W14			

HAUGHTON/SCHINDLER

#E		TG-1290	Dumbwaiter machine.
#EK	25"		
#H	17 ^{1/2} "	TG0310	
#K	29 ^{3/8} "		Babbit eccentric bearings.
#N	42"		1935 vintage.
#NNV	41 ^{1/4} "		Tandem machine, RH and LH worm shaft.
#O	14 ^{1/8} "		1950 vintage
#OH	20 ^{3/4} "	TG0620	
#R	20"		
#RE	25"		

HOLLISTER WHITNEY

#41	15"	TG8258	For early models, call with details.
#43	16 ^{1/8} "		
#53	17 ^{3/8} "		
#63	23"		
# 74	29"		

HOWARD BUFFALO

	25"		
--	-----	--	--

MANUFACTURER	GEAR OUTSIDE DIAMETER	TITAN TYPE NO.	DESCRIPTION
KAESTNER AND HECHT			
#E,EA	14 ³ / ₈ "		1930 Vintage.
# 1 1/2 V	21"		
#2	25 ⁷ / ₈ "		
#2 1/2"V	29 ¹ / ₄ "		Basement drum.
# 3	19"		
#3 1/2	33"		1930 vintage.
#4 1/2 Model "J"	40 ³ / ₄ "		
#22A	25 ⁷ / ₈ "		Tandem
KIEDLING			
	14 ¹ / ₂ "	TG0080	
KIMBAL			
	20 ³ / ₈ "		
LAGERQUIST			
OT-4-VV	23"		
McLAUTHLIN			
	22 ¹ / ₄ "		
MOFFAT			
	26 ³ / ₄ "		
MONTGOMERY			
#207	16"	TG0190	
#208	20 ³ / ₄ "	TG0520	
#208E	20 ³ / ₄ "	TG0520/TG0570	
#210	27 ¹ / ₂ "	TF1480	Full Rim
#211	30"		
#214	35 ¹ / ₂ "		
#215	41"		
#60A	10"	MONT ESC	Escalator drive series 438.
MORSE WILLIAMS			
	26 ¹ / ₄ "		Basement drum.
NATIONAL			
#0	30"		Ring gear.
	24"		Basement drum.
NORTHWESTERN			
ROSENBERG #2	17 ³ / ₈ "		1930 vintage.
ROSENBERG #3 1/2"	22 ⁵ / ₈ "		1930 vintage.
ROSENBERG #4	26 ¹ / ₂ "		1919 vintage.
KIECKHEFER	20"		1920 vintage. Invincible machine.
	24 ⁵ / ₈ "		1920 vintage. Standard machine.
	38 ⁵ / ₈ "		1920 vintage. Atlas machine.
	39 ³ / ₄ "		1920 vintage. Peerless machine.

MANUFACTURER	GEAR OUTSIDE DIAMETER	TITAN TYPE NO.	DESCRIPTION
OTIS			
#1/4 micro	9 3/8"		U/W Dumbwaiter and older microdrive leveling machines.
#2DW	9 3/8"		
#9	9 3/8"		
#14	12 1/4"	TG-62978	Known as 14AT,14AD, 14AX, 14AY, 14EX.
#15	15"		
#16	14 5/8"	TG-0090 TG-0100	Known as 16BT, 16VE, 16VEG, 16VEC, #1/2SWT, #1/2I.G. Old machines have double end thrust. U/W escalator drives and internal geared machines.
#17	15 3/8"	TG-0150 TG-0195	#17VE, #17VEG(Escalator drive machines). #17CT Elevator machine. Late 1970's.
#19	18"	TG-62186	Known as #3/4, #1SWT,#1 I.G.(internal geared), 19BT elevator machine, overhead and basement models.
#22	19 1/4"	TG-0370	#22 standard, #22CT machines, 1967 vintage.
#27	24 1/2"	TG-1005	Known as #1 1/2, #2, #2 SWT, #27BT, #27BE, #27BEC, #27BX, #6176, #2H, #2N, #2G, #3G, machines.
	25"	TG-1020	
#29	26 1/8"	TG-1320	#29 standard, #29 CT machines, 1970 vintage.
#3	27 1/2"	TG-0715H	Known as #3SWT, #3H, #3N, #6E, #3A (Escalator Drive), #31G, #3A Furnace Hoist, #3 Microdrive, Safelift.
#38	33 3/8"	TG-1870	Known as #38BT, #38BE, #38BEC, #4SWT, #4H with Microdrive.
#43	37 3/4"	TG-1883	Known as #43BT, #43BEC,#43BEG machines. 1960's.
#5	37 1/4"	TG-1900	Known as #5, #5SWT, #5SS machines. 1920's
#7	41 3/4"	TG-1930	Known as #7, #7L machines.1930's.
TANDEMS #4DS	22 1/2"		1905 vintage (Type H).
#4DS	27"		1905 vintage (Type H).
#4H	33 5/8"		1915 vintage (Type K).
#5H	29 5/8"		
#6H	37 15/16"		Titan replaces Tandem worm and gear sets, converting to a single worm and gear set arrangement, employing an engineered single thrust housing. Call Titan with details.
PAYNE			
#300	18"		Early Payne machines. Call with details.
#400	24"		
#500	34"		
READING SPIEDEL			
#10	20 3/8"		
#30	26 1/8"		
REEDY			
	24 3/4"		
	23"		Basement drum.
	26 1/4"		Ring gear.
SEEBERG/TURNBULL			
#3A	20"		
	12 3/4"		

MANUFACTURER	GEAR OUTSIDE DIAMETER	TITAN TYPE NO.	DESCRIPTION
SERGE			
#2-SM	16"		
	21 1/4"		
#9SR	16 1/8"	TG-0195	
#12SR	21 1/4"	TG-0680	
#S-2M	15 1/4"		
#16SR	32"		
SHEPARD			
	15 7/8"		
#H	20 3/4"		
GD 25	15"		1953 vintage
TURNBULL			
	24 3/8"		Worm over gear.
WARSAW			
#1E	28"		
#5E	41"		
WATSON			
#125H	12 3/4"		
	22 1/4"		
	23"		
WESTBROOK			
#22	24 1/4"		Babbit & roller bearing machines.
#26	27"		
WESTINGHOUSE			
**#18	17 1/4"	TG0196	Late 1950 vintage to present.
*#25,26	19 3/4"		1920 vintage to 1930's
*#27L,27	19 3/4"	TG0440	1930 vintage to early 1950's.
**#28	21"	TG0620	Early 1950 vintage to present.
*#32,35,35E	22 1/4"		1920 vintage.
*#36	22 1/4"		1930 vintage to 1940's.
*#37,37L	23 1/2"	TG0900	Early 1940's to 1950's.
**#38	25"	TG1290	Early 1950 vintage to present.
*#53,53E,54	29 1/4"	TG1860B	Early 1930's to late 1940's
*#57,5E	29 1/4"		Early 1950's.
#58	29 1/4"	TG0010	1950's to early 1980's.
#61, 61E	36 1/2"	TG01590	1940 vintage.
#81	44"		1940 vintage to late 1970's.
Type "L"	17 3/8"	TG1860	Stairway machine late 1940's.
#32N	10 3/4"	TG0010	Stairway machine 1940 vintage to 1970.
#48N	15"	TG-0150	Stairway machine 1940's to late 1970's
#48N-60	37"	TG1860B	H.D. stairway machine 1950's.
#48L,48N	15 3/8"	TG-0150	Stairway machine 1940's to late 1970's