

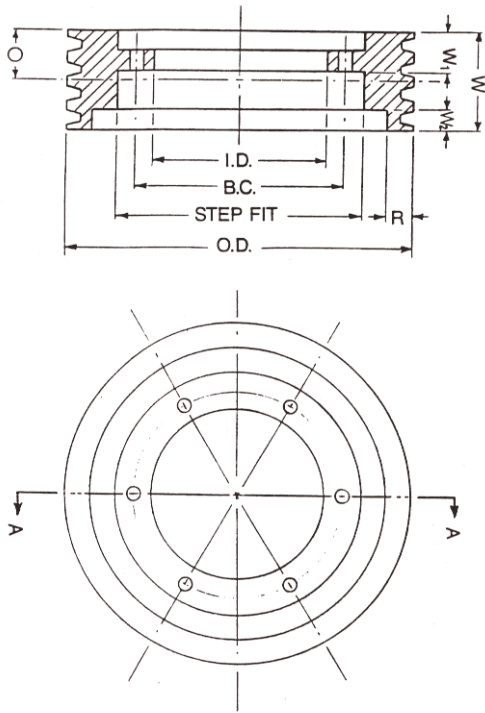
SHOWN: New Demountable Drive Sheave Replacement for an Otis #2 Machine



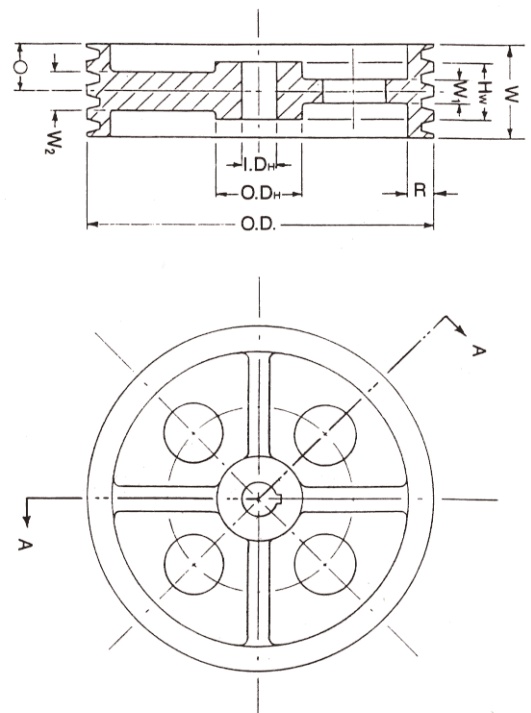
▶ TITAN MACHINE CORPORATION

- ▶ Is industry known for being the source for quality replacement drive sheaves for all types of traction elevator machinery, for all geared and gearless applications.
- ▶ Stocks tens of thousands of pounds of high quality cast iron raw sheave castings to assure a quick turn around time to our customers.
- ▶ Popular demountable sheaves are pre manufactured in some cases, ready for immediate shipping.
- ▶ Unusual and special application drive sheaves are our specialty, as we have manufactured sheaves from 6" diameter to 77" diameter.
- ▶ The following pages are a comprehensive listing of elevator manufacturers for whom Titan has fabricated new replacement sheaves for geared applications.

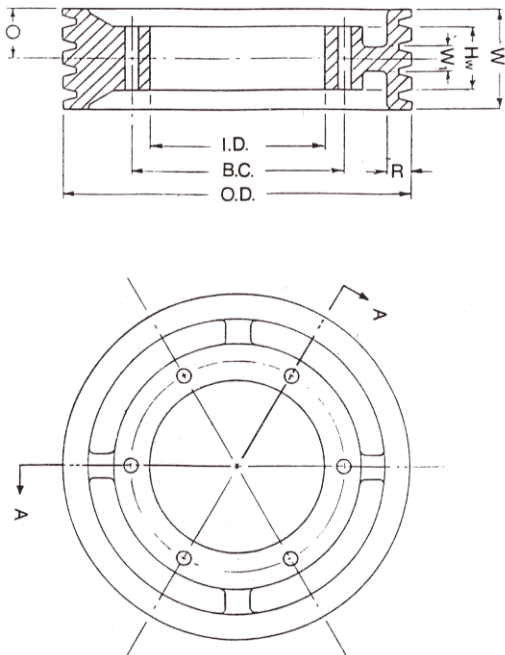
VIEW A



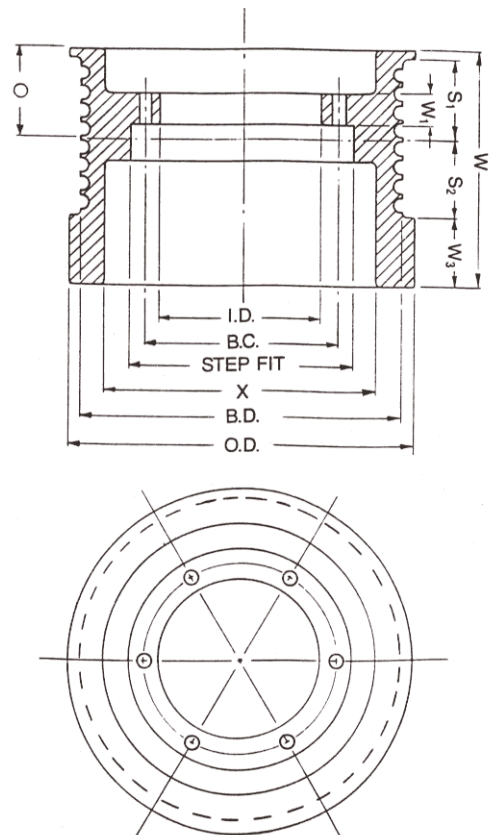
VIEW B



VIEW C



VIEW D



MANUFACTURER	MFRS CASTING NO.	SHEAVE DIAMETER	TITAN TYPE NO.	DESCRIPTION	
A.B. SEE					
#1 1/2		26"	C	TFS-0330	Demountable type,-letters after machine types should be included, as they designate wrap and machine mounting, etc.
#2					
#3			C	52577B	
#4		30"			
#5			C		
#6		32"	C		
#7		40"			#5-Offset Mounted.
#21		26"	C	TFS-0370	#21 Offset Mounted.
#22		26"/28"	C		
#23		26"/32"	C		
#24		30"	C	TFS-0620	
#25		22"/24"/28"/30"	A		#25 Basement Long Shaft Type.

ARMOR (HORN)

#1, 1BB		22"/28"	A		Early Armor geared units are solid sheave assemblies. Call Titan for details on sheave replacements. Many Armor sheaves are demountable.
#2,2BB		25"	A	T200-25	
		27"/30"	A		
#3, 4B, 4BB		30"/30"	A	TFS-AR-430	
		34"	A	TFS-0840	
		38"	A	TFS-AR-438	
4B		30"/36"/42"	A		
#5, 5BB		36"/48"	A		
#7, 7X					

CURTIS

K		20"	A	TFS-0070	
		20"	A	TFS-0850	Demountable type. 15" fit
		22"	A	TFS-1377	
L		27"/30"	A		Demountable type

DOVER

GD,45,50,75		20"/25"			Demountable type
GD 100, 105		25"	A	TFS-0230	Demountable type
		30"	A	DOVER 30	Demountable type
GD-1		30"	B		Hub mounted type
GD-1		25"	B		Hub mounted type
GD 200		30"/33"	A		Demountable type
GD 240		30"/33"	A		Demountable type
GD 300		30"	A	TFS-0490	Demountable type
GD 300		33"	A		Demountable type
GDF25		20"/25"			Demountable type

GENERAL

C		21"/24"	A		Early models may have solid sheave assemblies. Call Titan for details on sheave replacement. Demountable type later models.
D		21"/24"	A		
F		25"	A	TFS-0320	
G		27"/30"	A		
GS		21"	C	TFS-0850	
H			A		
M			A		
P		40"	A		

MANUFACTURER	MFRS CASTING NO.	SHEAVE DIAMETER	TITAN TYPE NO.	DESCRIPTION
GURNEY				
H13VTE		21"/24"/27"/30"	A	Early Gurney Sheaves are Solid Cast Types. Demountable type Demountable type Demountable type Demountable type 33" Demountable type 37" Demountable type Demountable type 42" Demountable type Demountable type Demountable type Demountable type Demountable type
H14VTE		21"/27"/30"	A	
H15VTE		25"	A	
H15VTE		30"	A	
H16VTE		24"/27"/30"/33"/36"/39"	A	
H17VTE		33"	A	
H18VTE		37"	A	
H19VTE		24"/27"/30"/33"/36"/39"/42"	A	
H20VTE		27"/30"/33"/36"/39"/42"/45"	A	
W13		27"/30"/33"/36"/39"/42"/45"	A	
W14		27"/30"/33"/36"/39"/42"/45"	A	
		12"/14"/18"/24"	A	
		12"/14"/18"/24"	A	

HAUGHTON					
AV	1-45027-64	27"	A	TFS-0370	1920 Vintage demountable type.
BV	5362	36"	A		Demountable type.
E		36"	A	TFS-3879	
EK		36"	A	TFS-3879	Solid
FV		33"	A		Hub mounted sheave assembly used with tandem gear models.
NNV			A		
H		23 ^{1/2} "/30"	A	TFS-0140	23" Demountable.
K	10352	33"	A	243SH2	Demountable type.
L	3-10370-03	39"	A	9883B	Demountable type, 1936 vintage.
N	3-10375-01	46"	A		1935 Vintage, demountable type.
N	3-40270-43	36"	A		1935 Vintage, demountable type.
O	3-10359-03	21"	A	TFS-0070	1950 Vintage, demountable type.
O	10359-E,D	21"	A	TFS-0070	1950 Vintage, demountable type.
RV/R	10351	27"	A	TFS-0010	1920 vintage solid gear spider assembly

HOLLISTER WHITNEY					
#43		20"	A	TFS-0850	Demountable type
		25"/28"	A		Early models may have solid sheave assemblies. Call Titan for details on sheave replacement.
#53		20"/25"/28"	A		
#63		32"	A	TFS-0680	
		36"	A	61788	
#73,74		32"/38"	A		

KIESLING					
#1		25"	A	TFS-0250	Demountable type
#2		30"		TFS-0570	Solid sheave assembly. Call Titan for details.

MANUFACTURER	MFRS CASTING NO.	SHEAVE DIAMETER	TITAN TYPE NO.	DESCRIPTION
LAGERQUIST				
OT-2-VV		24"/26"/28"	A	Demountable type
		30"/32"	A	Demountable type
OT-3-VV		26"/28"/30"	A	Demountable type
		32"/36"	A	Demountable type
OT-4-VV		36"/38"/40"	A	Demountable type
MONARCH				
				Call Titan for details on sheave replacements
MONTGOMERY				
#207		22"	A	TFS-1377 Demountable type
		20"	A	TFS-0030 Demountable type
#208		26"	A	TFS-0060 Demountable type
#210		27"/26"/28"/30"	A	T-2000-27 Demountable type
		28"	A	TFS-MONT-210 Demountable type
#214		30"/35"	A	
#215		32"/36"/38"/40"	A	TFS-MONT-215
OTIS				
#9, AD	B260C	12"	B	Hub mounted dumbwaiter on drive sheave.
#14 AT	C260A	20"	B	THS-0050
#14 AX				TFS-0250
#1/2 I.G	260E	24"		External gear and sheave assembly.
	515SH1	24"	B	
	542SH1	24"	B	TFS-1030
	192SH1	24"	B	
	530SH1		B	
#1 I.G	557SH1	30"	B	THS-1IG
	587SH1	30"	B	
	337MC1	30"	B	
#1/2SWT/16BT	517SH1	24"	C	TFS-1030
	260F	25"	C	TFS-1080
			B	
#1SWT/19BT	260AL	30"	B	
#1SWT/19BT	260AV	30"	C	
	744SH1	27"	C	TFS-0520
	1-260W	27"	C	
#1SWT/19BT	518SH1	30"	C	TFS-0630
	260AB	30"	C	TFS-0600
	260AR	30"	C	TFS-0600
				1950's to present, demountable type with tape grooves.
#2SWT	520SH1	27"	C	TFS-0520
#27BT	260T	27"	C	TFS-0520
	521SH1	30"	C	260TS
	1-260T	30"	C	260TS
	522SH1	33"	C	TFS-0410
	2-260T	33"	C	TFS-0410
	260AS	27"	C	
	1-260AS	30"	C	260TW
#27BX	260R	40"	B	4981
	A260R	40"	B	4981 B

MANUFACTURER	MFRS CASTING NO.	SHEAVE DIAMETER	TITAN TYPE NO.	DESCRIPTION
--------------	------------------	-----------------	----------------	-------------

OTIS (continued)

#22 standard	260AY	28"	A		1960's to present, demountable type, popular models.
	260BA	30"	A		
#22CT	1P-260-BR	30"	B	THS-0190B	Late model with Polyurethane insert.
	1P-260-AX	30"	B		
	260AW	28"	B	THS-0190	Hub mounted, overhung model.
	A260AX	30"	B	THS-2232	Hub mounted, overhung model.
	260BL	32"	B		Hub mounted, overhung model.
#29 standard	260BB	30"	A		1960's to present.
	260BE	32"	A	TFS-0640	Demountable type.
#29CT	260BN	32"	B	TMSC-29CT	Late model with Polyurethane insert.
	260BB	30"	B		1960's to present, hub mounted, overhung model.
	A260BC	32"	B	TMSC-29CT	
	260BH	38"	B	THS-29CT-38	1960's to present, hub mounted, overhung model.
#3 BAS	610SH1	30"	C	TFS-0670	Demountable type.
	260Z	30"	C	TFS-0670	Demountable type.
	524SH1	34"	C	T260AA	Demountable type.
	260AA	34"	C	T260AA	Demountable type.
#3 SWT	523SH1	30"	C	TFS-0670	1922 to 1950 vintage, demountable type.
#38BT	525SH	34"	C	TFS-3879	1948 vintage, demountable type.
	260AF 2	34"	C		Late model - Demountable type.
	60AG	38"	C	32782	Late model - Demountable type.
	555SH1	38"	C	32782	1920's, #3 version, demountable type.
	centermount	40"	A		
	549SH1	40"	A	549SH1	1922 #3-#4 SWT version demountable type.
#4,#5	243SH1	34"	A	243SH2	1920-1940's, demountable type.
#43BT	243SH2	34"	C	243Sh2	
	539SH1	38"	A		1920's, #5 SWT, demountable types.
	158SH1	38"	A		
	197SH1	40"	A	52879	Pre-1920, #4 SWT, demountable types.
	A197SH1		A		
	204SH1		A		
#7,7L	230SH1	44"	A		1930's demountable type.
			A		

PAYNE

#300		30"		TFS-AR4-30	Demountable type. Early models are solid sheave assemblies.
#400		30"	A	9883	
#500		38"	A		Call Titan for details on sheave replacement

SEEBERG/TURNBULL

		27"			Solid type
3B		27"		TFS-0540	Demountable type. (Narrow)
			A	TFS-0550	Demountable type. (Wide)
Turnbull		20"	A	TFS-0070	
		22"	A	TFS-1377	Demountable type.
OEA		27"	A	TFS-0550	Demountable type.
OEN		20"/22"	A	TFS-1377	Demountable type.
		30"	A		Demountable type.

MANUFACTURER	MFRS CASTING NO.	SHEAVE DIAMETER	TITAN TYPE NO.	DESCRIPTION
SERGE				
		27"		TFS-0010 Solid type
#9SR		21"	A	TFS-0060 Demountable type.
#9SR		27"	A	Demountable type.
#12SR		30"	A	Demountable type.
#12SR		34"	A	TFS-SR12-34 Demountable type.
#16SR		38"	A	TFS-AR-4-38 Demountable type.
STALEY				
		20"	A	TFS-0860 Demountable type. 13 ^{1/4} " fit
		22"	A	TFS-1377 Demountable type.
		24"	A	B1575 Demountable type.
		27"	A	TFS-0360 Demountable type.
		30"	A	52577 Demountable type.
WATSON/WARSAW				
		34"		TFS-3879 Many models have solid sheave assemblies.
		30"		TFS-0610 Call Titan for details on sheave replacements.
IEN		32"		TFS-0670
		27"		TFS-0500
OEN		24"		TFS-0210
XE		20"		TFS-0070
XEN		20"		TFS-0070 Demountable type.
WESTINGHOUSE				
#18		24"		Most Westinghouse geared units are solid sheave assemblies.
#25,27,27L		27"	TFS-0130	
#28		30"	TFS-0610	Call Titan for details on sheave replacement.
#35,36		27"		
#37		27"	TFS-WEST 37	
#38		30"	TFS-0610	
#51,53,54		32"	TFS-0170	
#57,#58		32"	TFS-0710	
#61		38"	9883B	
#81		40"		