

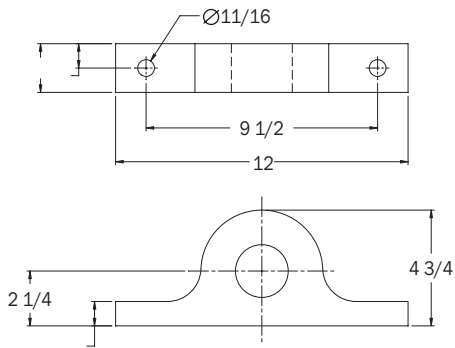


▶ EACH SHEAVE ASSEMBLY INCLUDES:

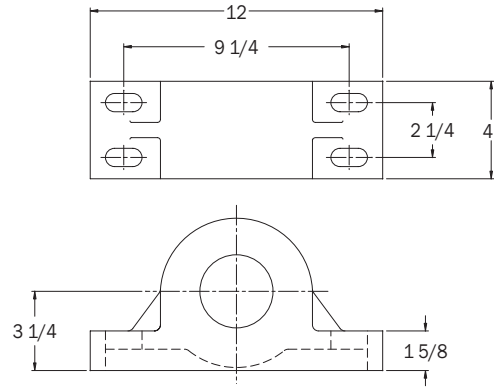
- ▶ Mounting Blocks, 2 Hole or 4 Hole Available
- ▶ Standard shaft diameter 2-15/16"
- ▶ Standard length of shaft x 33"
- ▶ Standard Groove Pitch
  - 1/2" Cable = 7/8" Pitch
  - 5/8" Cable = 1" Pitch
  - 3/4" Cable = 1-1/8" Pitch
- ▶ Groove Pitch Available to Your Specifications

STANDARD DEFLECTOR SHEAVE ASSEMBLIES

PART NO.	OUTSIDE DIAMETER	FACE WIDTH	MAX NO. & SIX OF CABLES
THSD-32	32	7.25	(7) 1/2 OR (6) 5/8
THSD-30	30	7.25	(6) 5/8 OR (6) 3/4
THSD-28	28	7.25	(6) 5/8 OR (8) 1/2
THSD-25	25	7.25	(6) 5/8 OR (8) 1/2
THSD-25-6	25	6.0	(6) 1/2 OR (5) 5/8
THSD-20	20	7.25	(8) 1/2
THSD-20-5	20	5.0	(5) 1/2
THSD-20-4.5	20	4.5	(4) 1/2



2 HOLES PILLOW BLOCK



4 HOLES PILLOW BLOCK

